



REX F

THREE PASS REVERSE FLAME

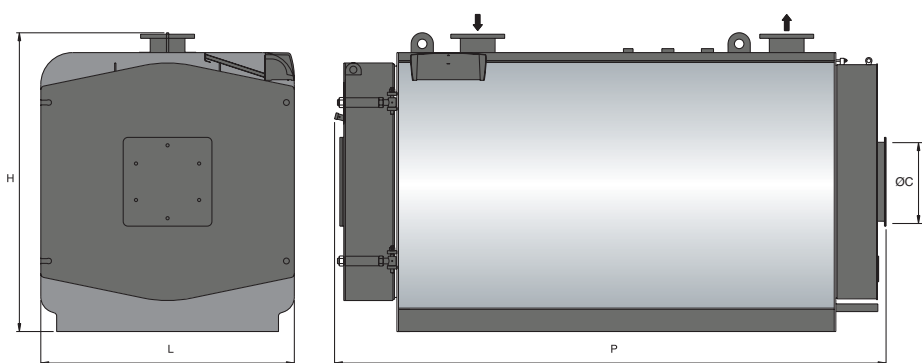
Developed to ensure much higher efficiency (3 stars) than standard boilers. It has the same characteristics of REX standard boiler and in addition it incorporates special aluminium extrusion turbolators. The REX 140-350 F boilers are lagged and clad with circular stucco aluminium casing which are fitted at the factory

Model	Boiler Code	Output		Input		Efficiency		Pressure Drop	Burner blast tube length	Burner hole Ø	Water side pressure drop (ΔT=12°C)	Water volume	Dimensions (H x L x P in mm)	Weight	Ø C
		kw	kw	100%	30%	mbar	mm								
REX 140 F	83813210	1400	1468	95,37	95,87	6,6	350-400	320	28	1500	1746 x 1470 x 2886	2665	400		
REX 160 F	83813220	1600	1675	95,52	95,80	7,1	350-400	320	32	1500	1746 x 1470 x 2886	2665	400		
REX 180 F	83814210	1800	1885	95,49	95,70	7,6	450-500	320	37	1650	1746 x 1470 x 3096	2815	400		
REX 200 F	83815210	2000	2094	95,51	95,80	6,6	450-500	360	35	2000	1876 x 1600 x 3220	3730	500		
REX 240 F	83816210	2400	2518	95,31	95,40	8,1	450-500	360	40	2300	1876 x 1600 x 3480	3980	500		
REX 300 F	83817210	3000	3142	95,48	95,60	8,6	450-500	400	49	3150	2146 x 1870 x 3480	5306	550		
REX 350 F	83818210	3500	3670	95,37	95,87	9,6	450-500	400	60	3650	2146 x 1870 x 3935	5806	550		

Working pressure: 5 bar

Fuel: natural gas only

Minimal return water temperature: 50C°



Standard equipment

- Outer casing with high density insulation
- Turbolators
- Cleaning tool
- Control panel complete with:
 - 1 main switch
 - 2 boiler control thermostats
 - 1 safety limit thermostat - manual reset
 - 1 pump thermostat
 - 1 burner on/off switch
 - 1 pump on/off switch
 - 1 boiler thermometer

Optional	Code	For details see
Control panel with digital controller RVA 43 for on/off and high/low burners *	QCLI4301	Page 38
Control panel with digital controller RVA 63 for modulating burners *	QCLI6301	Page 38
Calorifier sensor for controllers RVA	17120078	Page 38
Volt free kit	KITDO01	Page 40